

TWO-WAY VHF RADIO

NTW-3000

NSR's new generation of two-way VHF radio:

- Watertight design
- Either primary battery or secondary battery is available
- 4-digital channels available
- External MIC/Speaker can be attached



- Designed to meet GMDSS requirements related with performance standards for survival craft two-way VHF radio telephone apparatus, such as IMO MSC.515 (105), IMO MSC.1/Circ.1460/Rev.4 and IEC 61097-12.
- Compact, lightweight and rugged construction.
- Full marine-use VHF channels can be available.



SPECIFICATIONS

● TECHNICAL SPECIFICATIONS

- Frequency Range: 156.000~161.450 MHz (TX)
156.000~163.425 MHz (RX)
- Operating Channels: 19 channels (default)
- Operating Hours: \geq 8 hours (TX10%, RX10%, Standby80%)
- Output Power: High 3.0 W / Low 1.0 W

● BATTERY REQUIREMENTS

- Battery Voltage: DC 9V (NBT800), DC 7.4V (NBT800C)
- Storage Life for NBT800: Max 4 years on board
(plus one year of shelf time)

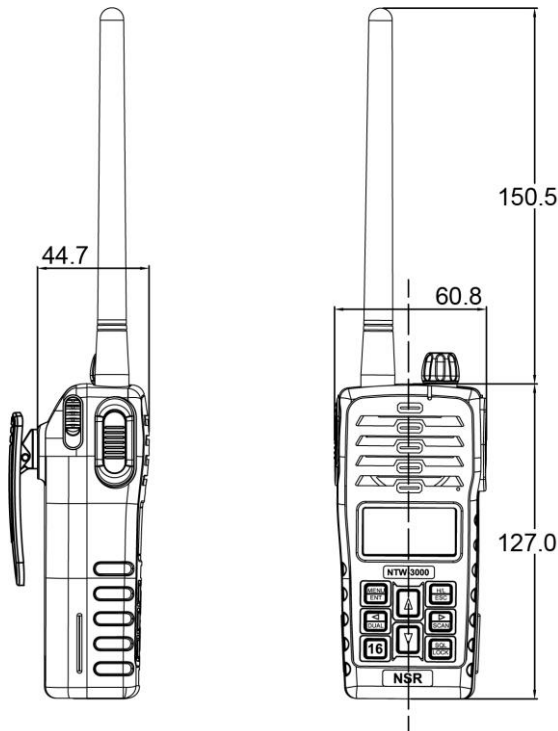
● STORAGE TEMP:

-40°C~+70°C

● SIZE & WEIGHT

- Size: 277.5 (H)×60.8 (W)×44.7 (D) mm
- Weight: 250g (Transceiver + Antenna + Emergency Battery)

SIZE DIMENSION



EQUIPMENT LIST

● STANDARD

- Transceiver & Antenna	NTW-3000	1 set
- Emergency Battery	NBT800	1 pc
- Belt Clip		1 pc
- Wrist Rope		1 pc
- Rechargeable Battery	NBT800C	1 pc
- Battery Charger	NBT800CU	1 pc
- AC/DC Adaptor	NBT200CUA	1 pc



Battery
Emergency / Rechargeable



Wrist Rope



Belt Clip



Battery Charger



AC/DC Adaptor